

Color Controller E-800A

PARTS CATALOG

First Edition February 2000

RICOH COMPANY,LTD

PARTS CATALOG

INTRODUCTION

This chapter instructs you the numbers and names of parts on this machine.

INDEX to PARTS CATALOG

Color Controller E-800A

(G925)

Color Controller E-800A (G925)

PARTS CATALOG

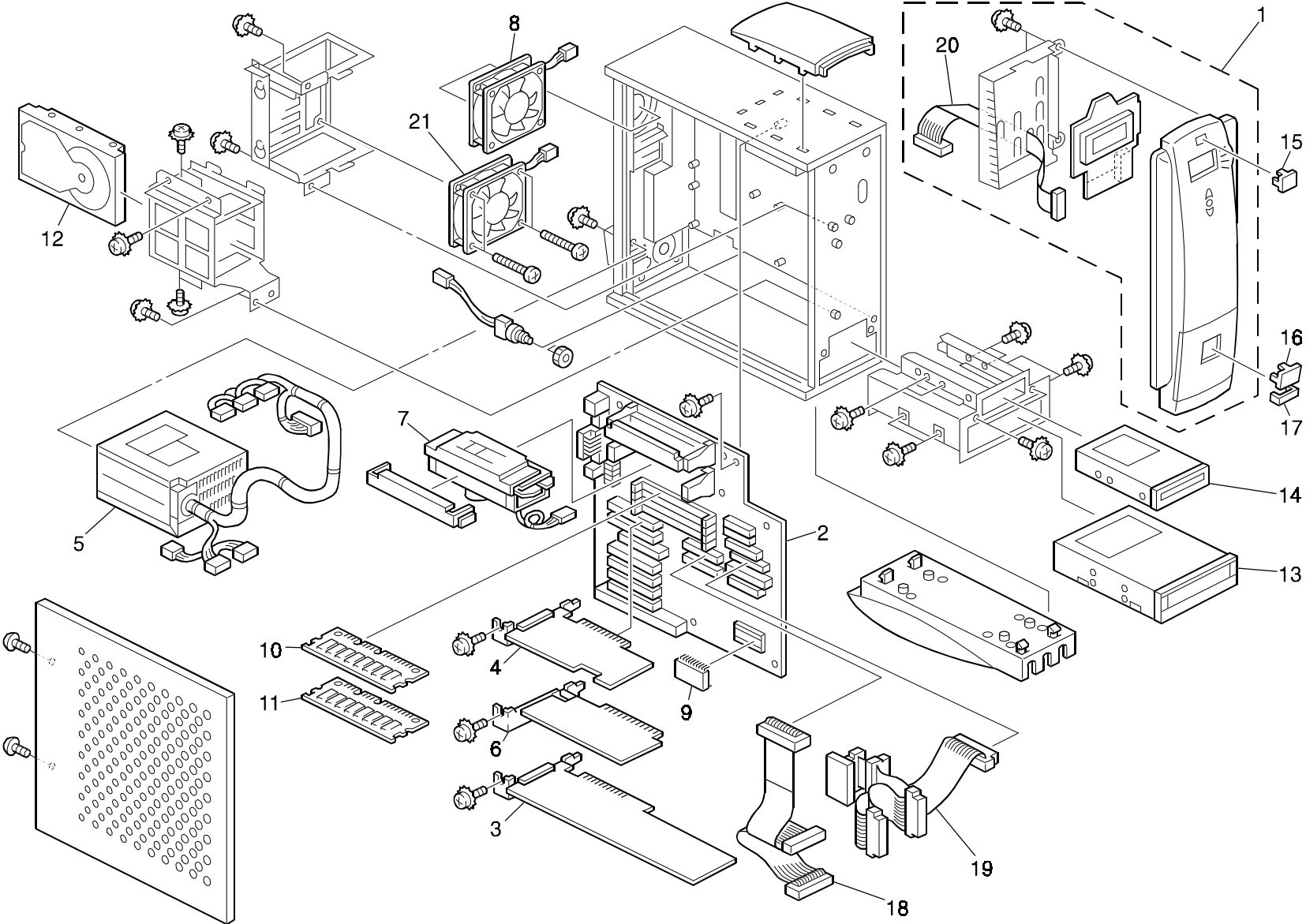
INTRODUCTION

This chapter instructs you the numbers and names of parts on this machine.

INDEX to PARTS CATALOG

1.HARDWARE SPARES (G925)	2
2.CABLES & DOCUMENTATIONS (G925)	4
3.OPTIONS (G927-01/G928-01).....	6
PARTS INDEX	9

1.HARDWARE SPARES (G925)

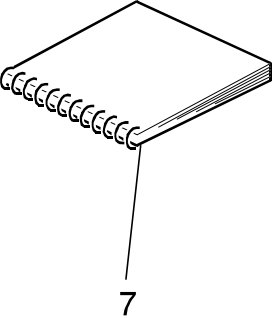
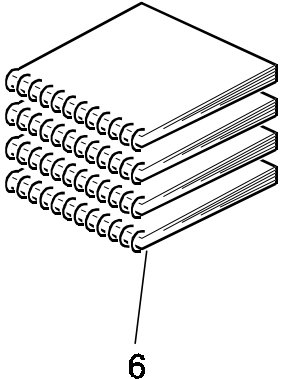
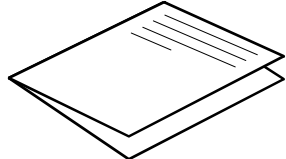
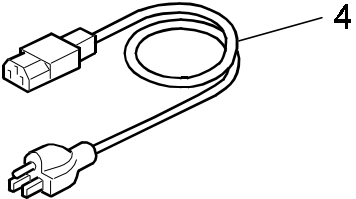
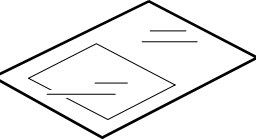
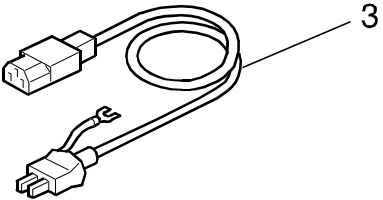
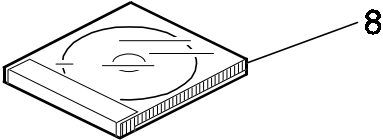
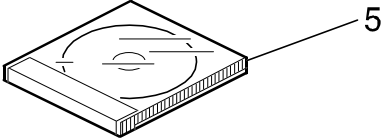
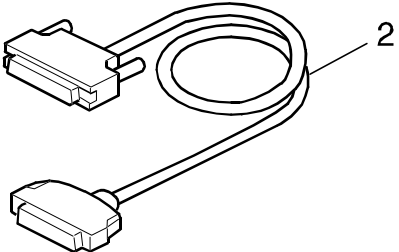
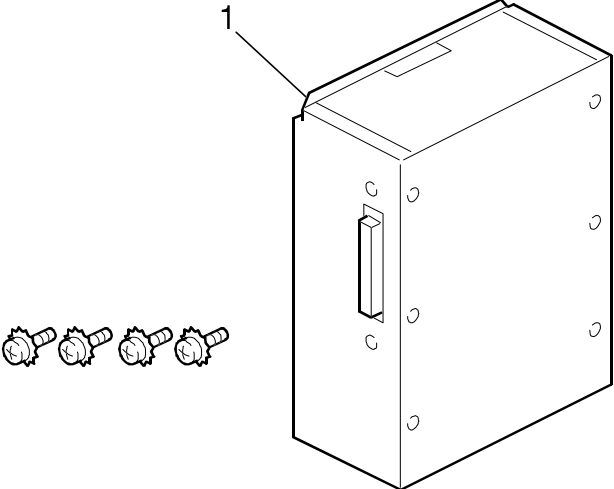


1.HARDWARE SPARES (G925)

Index No.	Part No.	Description	Q'ty Per Assembly
1	G925 0500	Front Cover Ass'y	1
2	G925 5000	Mother Board	1
3	G925 5007	Video Board	1
4	G925 5006	IXUIB Card	1
5	G925 5011	Power Supply	1
6	G925 5005	AGP Video Card	1
7	G925 5003	CPU With Fan	1
8	G925 5037	Back Panel Fan	1
9	G925 5001	Base BIOS	1
10	G925 5002	64MB DIMM	1
11	G925 5004	256MB DIMM	1
12	G925 5008	9.1GB SCSI HDD	1
13	G925 5009	CD Drive	1
14	G925 5010	Zip Drive	1
15	G925 5035	Fiery Jewel (20pcs)	1
16	G925 5017	E-800A Jewel (20pcs)	1
17	G925 5018	Blank Jewel (20pcs)	1
18	G925 5013	IDE Cable For CD/Zip	1
19	G925 5014	SCSI Cable	1
20	G925 5015	UIB Cable	1
21	G925 5012	Chassis Fan	1

Index No.	Part No.	Description	Q'ty Per Assembly
-----------	----------	-------------	-------------------

2.CABLES & DOCUMENTATIONS (G925)



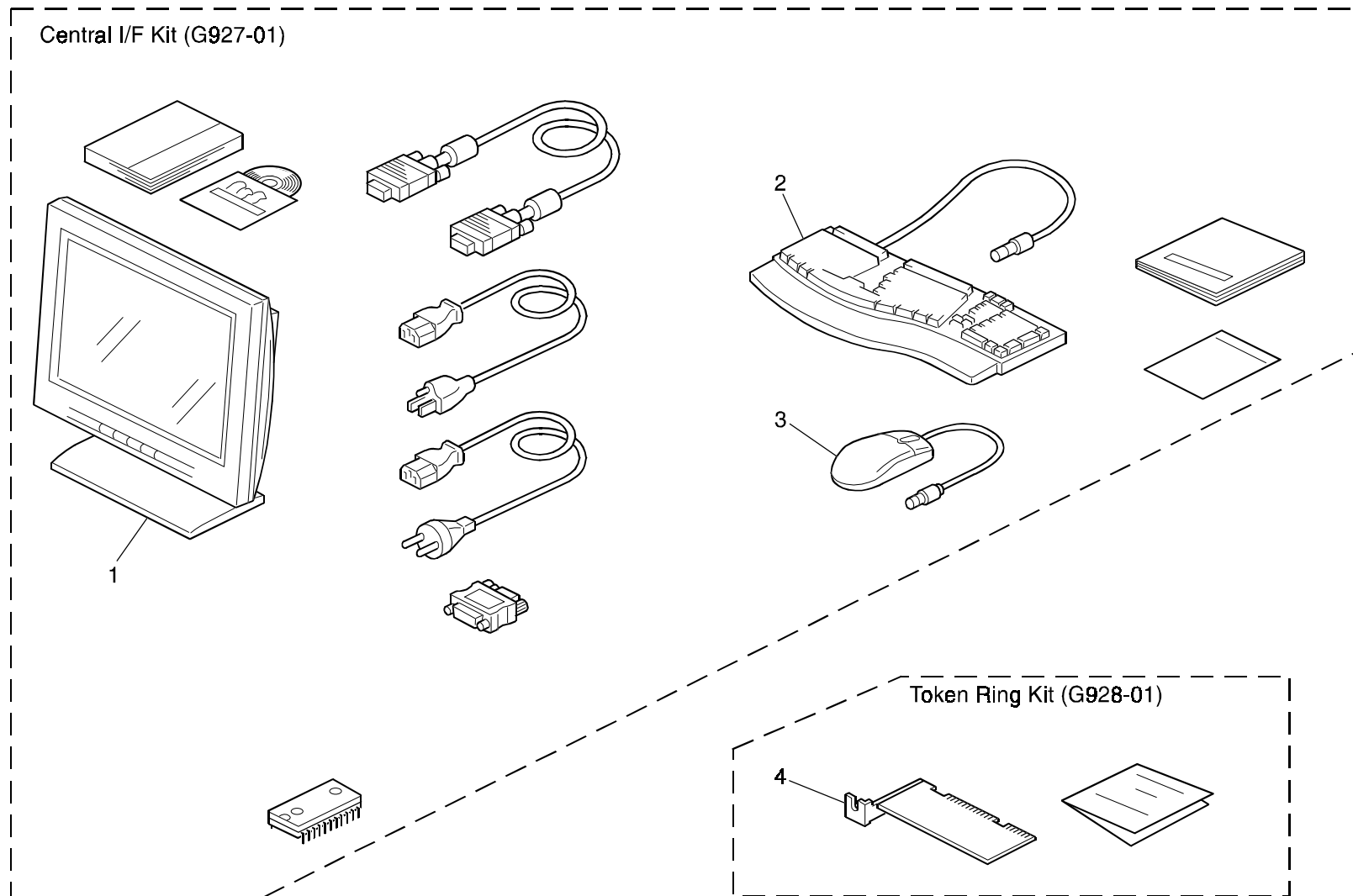
2.CABLES & DOCUMENTATIONS (G925)



Index No.	Part No.	Description	Q'ty Per Assembly
1	G925 5019	Extender Board	1
2	G925 5020	Copier I/F Cable	1
3	A747 5031	Power Supply Cord 115V	1
4	A747 5032	Power Supply Cord 230V	1
5	G925 5038	User Software CD (Roman)	1
6	G925 5031	Doc Pack (English)	1
7	G925 9850	Service Manual English	1
8	G925 5501	System CD English	1
8	G925 5502	System CD German	1
8	G925 5503	System CD French	1
8	G925 5504	System CD Italian	1
8	G925 5505	System CD Spanish	1

Index No.	Part No.	Description	Q'ty Per Assembly

3.OPTIONS (G927-01/G928-01)



3.OPTIONS (G927-01/G928-01)

Index No.	Part No.	Description	Q'ty Per Assembly
1	G925 1003	FACI,15" Flat Panel Monitor	1
2	G925 1002	FACI, Keyboard	1
3	G925 1001	FACI, Mouse	1
4	G925 5906	Token Ring Card	1

Index No.	Part No.	Description	Q'ty Per Assembly

PARTS INDEX

Part No.	Description	Page and Index No.
G925 0500	Front Cover Ass'y	3- 1
G925 1001	FACI, Mouse	7- 3
G925 1002	FACI, Keyboard	7- 2
G925 1003	FACI, 15" Flat Panel Monitor	7- 1
G925 5000	Mother Board	3- 2
G925 5001	Base BIOS	3- 9
G925 5002	64MB DIMM	3- 10
G925 5003	CPU With Fan	3- 7
G925 5004	256MB DIMM	3- 11
G925 5005	AGP Video Card	3- 6
G925 5006	IXUIB Card	3- 4
G925 5007	Video Board	3- 3
G925 5008	9.1GB SCSI HDD	3- 12
G925 5009	CD Drive	3- 13
G925 5010	Zip Drive	3- 14
G925 5011	Power Supply	3- 5
G925 5012	Chassis Fan	3- 21
G925 5013	IDE Cable For CD/Zip	3- 18
G925 5014	SCSI Cable	3- 19
G925 5015	UIB Cable	3- 20
G925 5017	E-800A Jewel (20pcs)	3- 16
G925 5018	Blank Jewel (20pcs)	3- 17
G925 5019	Extender Board	5- 1
G925 5020	Copier I/F Cable	5- 2
G925 5031	Doc Pack (English)	5- 6
G925 5035	Fiery Jewel (20pcs)	3- 15
G925 5037	Back Panel Fan	3- 8
G925 5038	User Software CD (Roman)	5- 5
G925 5501	System CD English	5- 8
G925 5502	System CD German	5- 8
G925 5503	System CD French	5- 8
G925 5504	System CD Italian	5- 8
G925 5505	System CD Spanish	5- 8
G925 5906	Token Ring Card	7- 4
G925 9850	Service Manual English	5- 7

Part No.	Description	Page and Index No
A747 5031	Power Supply Cord 115V	5- 3
A747 5032	Power Supply Cord 230V	5- 4